



THE ALL-NEW



PASSION ENGINEERED



5-YEAR WARRANTY or 150,000km
Terms and conditions apply.



Born from a passion to deliver great driving to Malaysians from all walks of life. The all-new Myvi is engineered to meet global standards with local innovations, while retaining the same incredible value it has had from day one.



MODERN **T**ECHNOLOGY

New EEV engines and features
for truly amazing driving.

YOUTHFUL **D**ESIGN

Sleek and aerodynamic
for better performance.

VERSATILE **S**PACE

Spacious cabin and
luggage area.

INTELLIGENT **S**AFETY

Advanced safety technologies
to better protect you and
your loved ones.



New EEV engines elevate iconic efficiency to a new level.
Low noise and vibration levels contribute to a comfortable driving experience.



1.3ℓ & 1.5ℓ ^{DUAL}VVT-*i* EEV ENGINES

Smooth &
Quiet Drive

High Fuel Efficiency

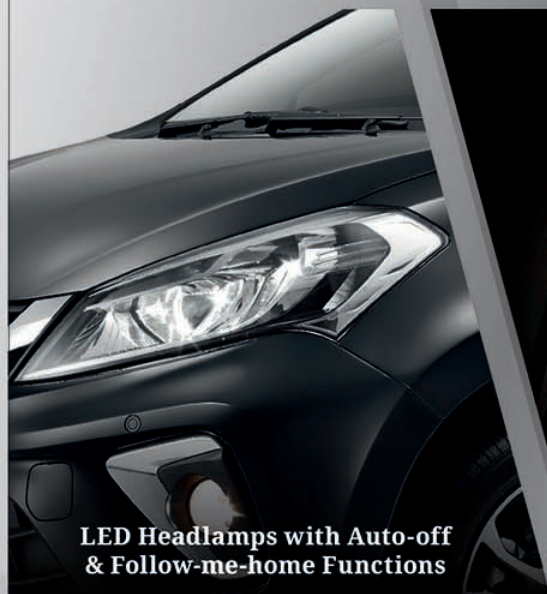
MODERN
TECHNOLOGY

ENGINE	FUEL CONSUMPTION ECO-DRIVING (WITH 'ECO IDLE')
1.3ℓ ^{DUAL} VVT- <i>i</i>	21.1 km/ℓ
1.5ℓ ^{DUAL} VVT- <i>i</i>	20.1 km/ℓ



'ECO IDLE' SYSTEM*

The system automatically stops the engine when the car is idle and restarts upon release of the brake, thereby reducing fuel consumption and emissions.



LED Headlamps with Auto-off & Follow-me-home Functions



Headlamp Levelling Adjuster

Toll card not included.



Toll Card

Built-in Toll Reader**



Digital Aircond Controller



Push Start/Stop Button



Smart Entry with Smart Key



Multimedia System with Navigation and 'Smart Link' for Android***



Speed-sensing Wipers
Activates when wiper control lever is at Position 3 (intermittent).

*1.3 X & 1.5 variants only. **1.5 variants only. ***1.5 AV variant only.

YOUTHFUL
DESIGN



Front Skirting*



Side Skirtings (Two-tone)*



Spoiler*

SLEEK
&
AERODYNAMIC



15-inch Alloy Rims (Two-tone)*

Rear Combination
Lamps with
Light Guides



Shark Fin Antenna



Retractable Side Mirrors
with Turn Signals**



*1.5 variants only. **1.3 X & 1.5 variants only.

YOUTHFUL
DESIGN

Image: 1.5 AV variant

PREMIUM
INTERIOR
DETAILING

Semi-bucket Leather Seats*

Leather-wrapped
Steering Wheel
with Audio &
'Receive Call'
Control**





Dual-method
Back Door Unlock
(One-touch Button
& Remote Control)



USB Port
(Driver Seat)**
& Front Seat
Side Pockets

ERGONOMIC
DESIGN



Adjustable
Steering
Wheel



Driver
Seat Height
Adjuster

Image: 1.5 AV variant



Sporty Blue-illuminated Meter Panel with LCD Multi-info Display

Image: 1.5 variants

Spare Tyre
(Alloy Rim)



*1.5 AV variant only. **1.3 X & 1.5 variants only.

THE ALL-NEW



PASSION ENGINEERED



**VERSATILE
SPACE**



**SPACIOUS INTERIOR
& BOOT SPACE**

Image: 1.5 AV variant

**MULTIPLE
STORAGE
COMPARTMENTS**



Glove Compartment

Front Doors

Rear Doors

Bottle Holders & Door Pockets

Cup Holders

FLEXIBLE SEATING ARRANGEMENTS

8+1 SEATING CONFIGURATIONS



5-passenger Mode



4-passenger Mode



3-passenger Mode (I)



3-passenger Mode (II)



Front Passenger & Rear Full-flat Mode



2-passenger Mode (I)



2-passenger Mode (II)



Front Full-flat Mode (Static Condition)

Achieve **823ℓ** of boot space in **Rear Full-flat Mode**



2-passenger Mode (III)

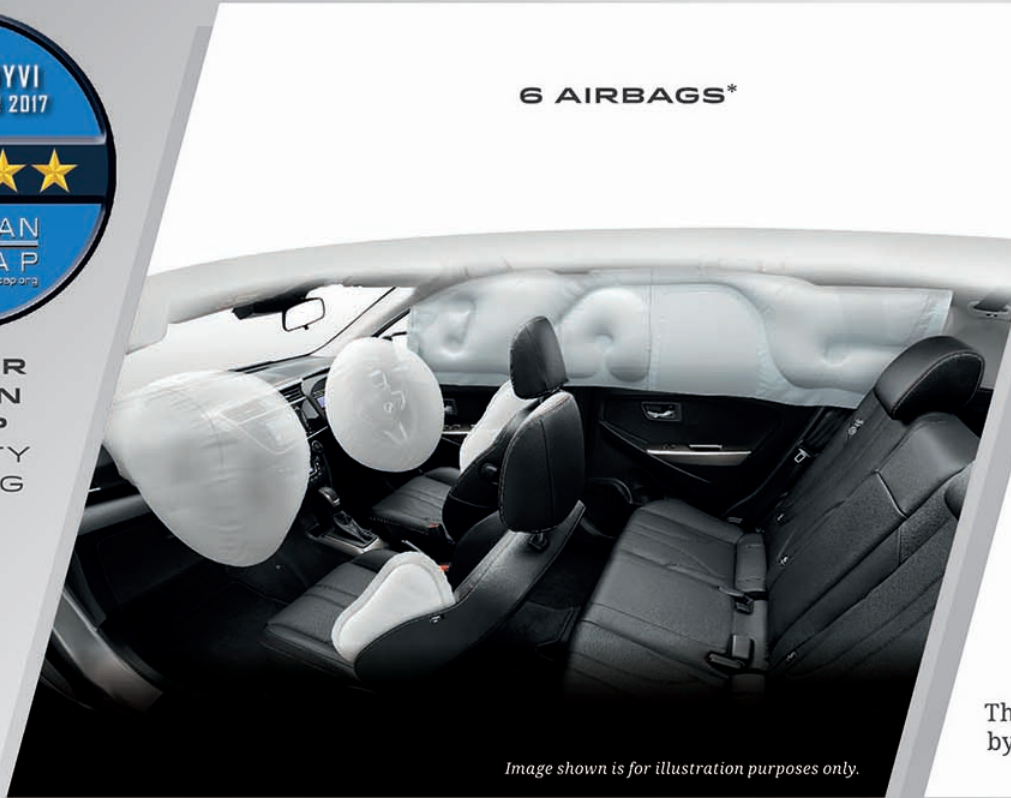
277ℓ
BOOT
SPACE



Fits up to
4
travel bags

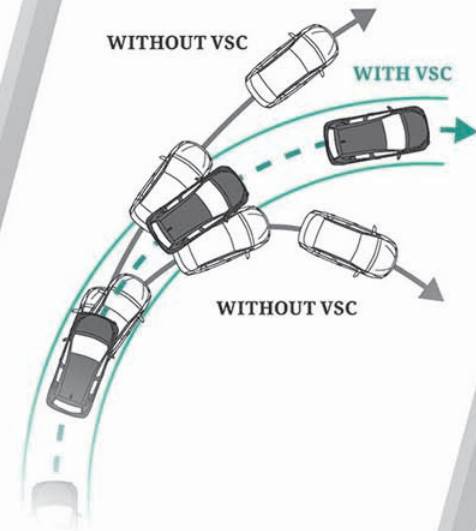


**5-STAR
ASEAN
NCAP
SAFETY
RATING**



6 AIRBAGS*

Image shown is for illustration purposes only.



VEHICLE STABILITY CONTROL (VSC)

The system improves vehicle stability by detecting and reducing skidding.

**INTELLIGENT
SAFETY**



**Seat Belt Reminder
(Driver, Front &
Rear Passengers)**



**ISOFIX System
with Top Tether**



**Central
Lock Button**

ANTI-LOCK BRAKING SYSTEM (ABS) WITH ELECTRONIC BRAKE DISTRIBUTION (EBD)



The ABS function prevents the tyres from locking when braking, avoiding uncontrollable skids and maintaining steering control.

ABS

WITH ABS



WITHOUT ABS

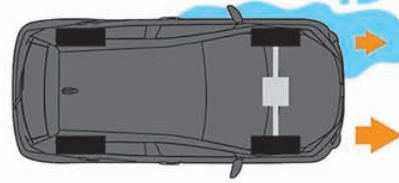


EBD

WITH EBD



WITHOUT EBD



TRACTION CONTROL (TRC)

Improves safety when driving on slippery roads.

HILL-START ASSIST (HSA)**

Prevents your car from rolling backwards on steep surfaces after the brake is released.



EMERGENCY STOP SIGNAL (ESS)

ESS automatically activates Hazard Warning Lights during hard braking to alert the drivers of trailing vehicles.



Anti-snatch Hook



Reverse Camera*** & Reverse Sensors



Front Corner Sensors**



Solar & Security Window Film***

*1.5 variants only. **1.3 X & 1.5 variants only. ***1.5 AV variant only.

INTELLIGENT
SAFETY



ADVANCED SAFETY ASSIST (A.S.A.)*

Advanced Safety Assist (A.S.A.) is a safety feature introduced to reduce low-speed accidents due to inattentive driving.



Stereo Camera

A Stereo Camera installed on the windscreen detects vehicles and pedestrians ahead.

1

PRE-COLLISION WARNING

Alerts the driver when it detects a risk of frontal collision.

2

PRE-COLLISION BRAKING

Applies brakes when it detects an increasing risk of collision with the vehicle ahead.

3

FRONT DEPARTURE ALERT

Alerts the driver when the vehicle in front has moved.

4

PEDAL MISOPERATION CONTROL

Suppresses engine output when the driver accidentally stomps the accelerator pedal.

VARIANT COMPARISON

DIFFERENCES FROM 1.5 H

1.5 AV



Multimedia System with Navigation



Semi-bucket Leather Seats

DIFFERENCES FROM 1.3 X

1.5 H



6 Airbags
(Driver, Front Passenger,
Side & Curtain)

Image shown is for illustration purposes only.



Toll card not included.

Toll Card

Built-in Toll Reader

DIFFERENCES FROM 1.3 G

1.3 X



Audio System with USB, Bluetooth & Microphone



USB Port (Driver Seat)



Leather-wrapped Steering Wheel
with Audio & 'Receive Call' Control

1.3 G



Audio System with USB



Semi-bucket Fabric Seats



'Smart Link' for Android



Reverse Camera



Advanced Safety Assist (A.S.A.)

A.S.A.



Solar & Security Window Film



Front Skirting



Side Skirtings (Two-tone)



Spoiler



15-inch Alloy Rims (Two-tone)



Front Corner Sensors



Fog Lamps with Chrome Garnish



Hill-start Assist (HSA)



'Eco Idle' System

- Front Grille with Chrome Finish
- Chrome Door Handles (Outer & Inner)
- Retractable Side Mirrors with Turn Signals



LED Headlamps with Auto-off & Follow-me-home Functions



Push Start/Stop Button



Smart Entry with Smart Key



4 Airbags (Driver, Front Passenger & Side)



14-inch Alloy Rims

- 5-star ASEAN NCAP Safety Rating
- Vehicle Stability Control (VSC)
- Anti-lock Braking System (ABS) with Electronic Brake Distribution (EBD)
- Traction Control (TRC)
- Emergency Stop Signal (ESS)
- Seat Belt Reminder (Driver, Front & Rear Passengers)
- ISOFIX System with Top Tether
- Power Window with Jam Protection (Driver's Side)
- Shark Fin Antenna
- Headlamp Levelling Adjuster
- Front Seat Side Pockets

GearUp[®] *Perodua Originals*



**ICONIC STYLE
EVOLVED**

A new icon. A new iconic look. Passion for wonderful design, brought to life by GearUp[®] accessories for the all-new Myvi. Take your ride to a new level of style with GearUp[®].

6
- MONTH
WARRANTY

Terms and conditions apply.

**INSTALMENT
PLAN
AVAILABLE***

*For new car
purchases only.



CHROME FRONT GRILLE GARNISH



CHROME SIDE MIRROR GARNISH



CHROME WINDOW GARNISH



CHROME REAR BUMPER GARNISH



CHROME BACK DOOR GARNISH



SIDE DOOR MOULDING WITH CHROME LINE

Side door moulding only comes in black.



REAR SKIRTINGS

Rear skirtings only come in black.

SEAT COVERS WITH LUX VELVET TRIMMINGS



Front Seat Covers with Quilted Design

1.3 G variant comes with pillow-type headrests (non-detachable).



Rear Seat Covers with Quilted Design

GearUp® ADD-ONS

Chrome Scuff Plates



Front

Rear

Door Visors



Coil Mats



Luggage Tray



DRIVING COMFORT

Hood Insulator



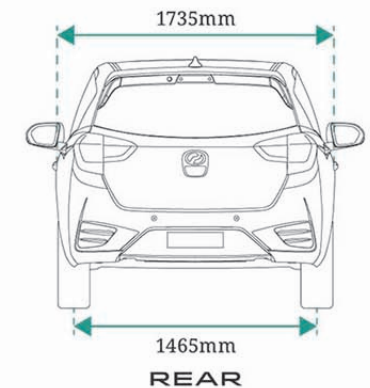
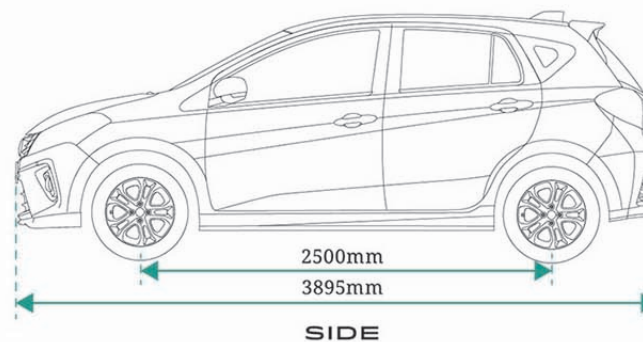
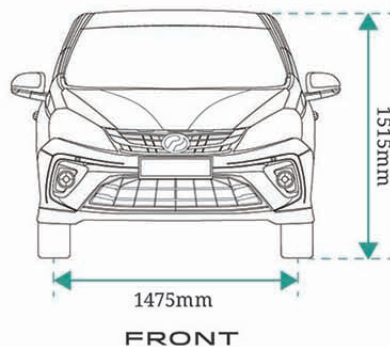
Door Comfort



TECHNICAL SPECIFICATIONS

MODEL	MYVI 1.3ℓ			MYVI 1.5ℓ	
	G		X	H	AV
TRANSMISSION	5 MT	4 E-AT	4 E-AT	4 E-AT	4 E-AT
DIMENSIONS & WEIGHT					
Overall length/width/height	mm		3895/1735 /1515		
Wheelbase	mm		2500		
Track	Front	mm	1485		1475
	Rear	mm	1475		1465
Minimum turning radius	m		4.8		
Kerb weight	kg	955	975	985	1010
Luggage capacity	ℓ			277	
Fuel tank capacity	ℓ			36	
ENGINE					
Engine type	1NR-VE, 4 cylinders, DOHC with Dual VVT-i			2NR-VE, 4 cylinders, DOHC with Dual VVT-i	
Total displacement	cc	1329		1496	
Maximum output	kW/rpm	70/6000		76/6000	
Maximum torque	Nm/rpm	121/4000		136/4200	
Fuel consumption (with Eco-driving)	Km/ℓ	20.5	20.1	21.1 (with 'Eco Idle' system)	20.1 (with 'Eco Idle' system)
'Eco Idle' system (Idling stop system)		-	-	•	•
CHASSIS					
Electric power steering (EPS)		•	•	•	•
Tyres, disc wheels & spare tyre		175/65 R14 (14-inch alloy rims)		185/55 R15 (15-inch alloy rims)	
SAFETY & SECURITY					
Airbags		4 (front & side)		6 (front, side & curtain)	
ABS with EBD	•	•	•	•	•
Vehicle stability control (VSC)	•	•	•	•	•
Traction control (TRC)	•	•	•	•	•
Emergency stop signal (ESS)	•	•	•	•	•
Hill-start assist (HSA)	-	-	-	-	-
Advanced safety assist (A.S.A.)	-	-	-	-	-
Anti-snatch hook	•	•	•	•	•
Reverse sensors	•	•	•	•	•
Front corner sensors	-	-	-	-	-
Solar & security window film	-	-	-	-	-
Reverse camera	-	-	-	-	-
ISOFIX system with top tether	•	•	•	•	•
Seatbelt reminder				Driver, front & rear passengers	
ACCESSORIES					
Carpet mat	•	•	•	•	•
Safety triangle	•	•	•	•	•
Registration plate holder	•	•	•	•	•
Multi-purpose container	-	-	-	•	•

DIMENSIONS



Car illustrations are based on 1.5 variants.

MODEL	MYVI 1.3ℓ			MYVI 1.5ℓ	
	G		X	H	AV
TRANSMISSION	5 MT	4 E-AT	4 E-AT	4 E-AT	4 E-AT
EXTERIOR					
Front grille	Painted			Chrome finish	
Front & side skirtings	-	-	-	•	•
Two-tone rear bumper	-	-	-	•	•
Side mirrors with turn signals	Electric			Electric & retractable	
Outer door handles	Body-colour			Chrome	
Front fog lamps with chrome garnish	-	-	•	•	•
Headlamps	Type	LED with auto-off & follow-me-home functions			
	Levelling	Manual			
Rear combination lamps	LED with light guides				
Rear reflectors	Integrated with rear combination lamps				
Front wipers	Aeroslim type with speed-sensing function				
Spoiler	-	-	-	•	•
Acoustic windshield glass	•	•	•	•	•
Air spats	Front			Front & rear	
INTERIOR					
Meter combination	White & blue illumination			White & blue illumination with chrome ring	
Centre cluster	Painted			Painted with chrome	
Shift lever & console box	Material colour			Painted bezel	
Inner door handle	Material colour			Chrome	
Sun visors	With ticket holder (driver) & vanity mirror (passenger)				
Door trims	Full trim with fabric			Full trim with fabric & painted armrests	
Seats	Front seat	Standard Grade Fabric (semi-bucket)		High Grade Fabric (semi-bucket)	
	Rear seat (60:40 fold)	Standard Grade Fabric (integrated headrest)		High Grade Fabric (detachable headrest)	
Leather (semi-bucket)					Leather (semi-bucket)
Seat back & side pockets	•	•	•	•	•
Shopping hooks (front seats)	•	•	•	•	•
Cup holders (rear console)	•	•	•	•	•
Bottle holders & door pockets (all doors)	•	•	•	•	•
Map, dome & luggage lamps	•	•	•	•	•
COMFORT					
Smart entry & push start/stop button	•	•	•	•	•
Built-in toll reader	-	-	-	•	•
Audio	Audio system with USB		Audio system with USB, bluetooth & microphone		Multimedia system with navigation & 'Smart Link' (for Android)
Speakers	10cm front speakers (2) & rear speakers (2)		10cm front speakers (2) & 16cm rear speakers (2)		
Leather-wrapped steering wheel with audio & 'receive call' control	-	-	•	•	•
Adjustable steering wheel	•	•	•	•	•
Seat height adjuster (driver seat)	•	•	•	•	•
USB port (driver seat)	-	-	•	•	•
Adjustable shoulder belt anchors (front seats)	•	•	•	•	•
Power windows	With jam protection on driver's side				

Only the main differences between variants are listed here. For a list of features common to all variants, please consult a Perodua sales advisor.

COLOURS



NEW COLOUR
Granite Grey*
(Metallic)



NEW COLOUR
Peppermint Green**
(Metallic)



Lava Red
(Metallic)



Mystical Purple
(Metallic)



Glittering Silver
(Metallic)



Ivory White
(Solid)

*1.5 variants only. **1.3 variants only.

Colours shown here may differ from the colours of the actual vehicles.

THE ALL-NEW



PASSION ENGINEERED



UFirst*

Perodua passport for brighter and better days. Sign up now at www.ufirst.com.my and download the mobile app to enjoy more benefits.



Perodua Total Protect with 24-hour Auto Assist*

Enjoy peace of mind. Every new Perodua comes insured with Total Protect, which includes a free towing service and emergency assistance on-call 24/7 (1800-88-5555). Plus, you can renew your car insurance at any authorised Perodua outlet.

*Terms and conditions apply.

FOR MORE DETAILS

Visit your nearest Perodua showroom or call 1800 88 6600.

Specifications are subject to change without prior notice. Please consult your sales advisor.

PERODUA SALES SDN BHD (066332U)
Sungai Choh, Locked Bag 226, 48009 Rawang,
Selangor Darul Ehsan, Malaysia.

www.perodua.com.my